



Application for Interconnection and Net Metering – Level 1

Use this Application only for: 1.) a generating facility that is inverter based and certified by a nationally recognized testing laboratory to meet the requirements of UL 1741, 2.) less than or equal to 30 kW generation capacity and 3.) connecting to Kentucky Power distribution system.

Submit this Application to:

D.G. Coordinator
American Electric Power
1 Riverside Plaza
Columbus, Ohio 43215-2373
614-716-1382 Office / 614-716-1605 Fax
dgcoordinator@aep.com

(Contact person listed is subject to change. Please visit our website for up-to-date information <http://www.kentuckypower.com>)

Applicant

Name: _____

Mailing Address: _____

City: _____ State: _____ Zip: _____

Phone: (____) _____ Phone: (____) _____

E-mail address: _____

Service Location

Name: _____

Street Address: _____

City: _____ State: _____ Zip: _____

Electric Service Account Number: _____

Alternate Contacts

Provide names and contact information for other contractors, installers, or engineering firms involved in the design and installation of the generating facilities:

<u>Name</u>	<u>Company</u>	<u>Telephone/Email</u>
_____	_____	_____
_____	_____	_____
_____	_____	_____

Equipment Qualifications

Energy Source: () Solar () Wind () Hydro () Biogas () Biomass

Inverter Manufacturer: _____ Model: _____

Inverter Power Rating: _____ Voltage Rating: _____

Power Rating of Energy Source (i.e., solar panels, wind turbine): _____

Battery Storage: () Yes () No If Yes, Battery Power Rating: _____

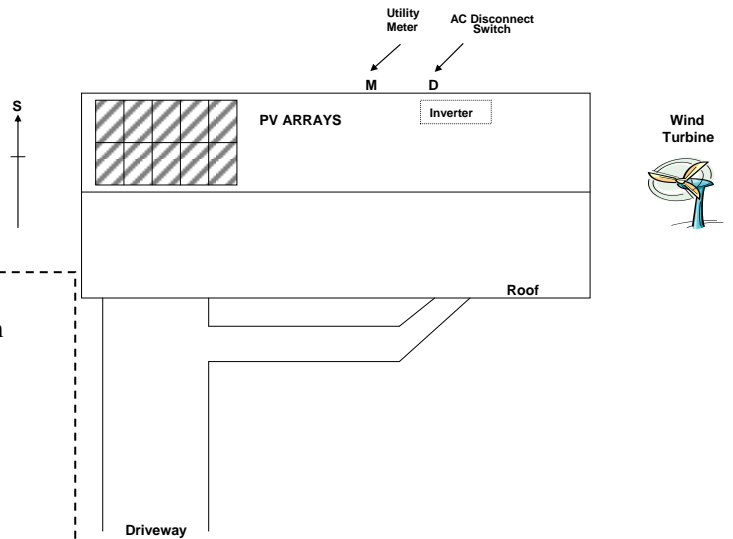
Attach documentation showing that inverter is certified by a nationally recognizes testing laboratory to meet the requirements of UL 1741.

Attach site drawing or sketch showing locations of Kentucky Power Company meter, energy source, accessible disconnect switch and inverter.

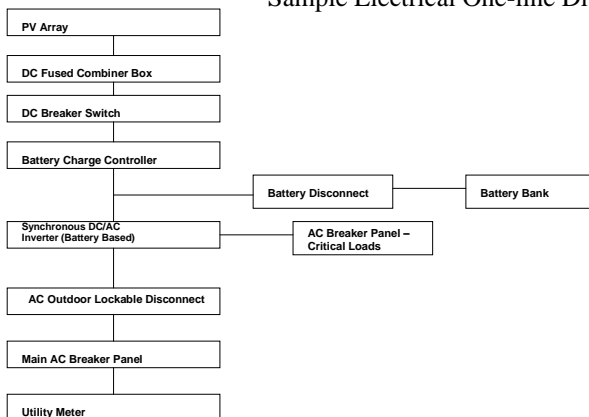
Attach single line drawing showing all electrical equipment from the metering location to the energy source including: switches, fuses, breakers, panels, transformers, inverters, energy source, wire size, equipment ratings, and transformer connections.

Expected Start-up Date: _____

Sample Site Diagram



Sample Electrical One-line Diagram



TERMS AND CONDITIONS:

1. Kentucky Power Company (Company) shall provide customer net metering services, without charge for standard metering equipment, through a standard kilowatt-hour metering system capable of measuring the flow of electricity in two (2) directions. If the customer requests any additional meter or meters or distribution upgrades are needed to monitor the flow in each direction, such installations shall be at the customer's expense.
2. Customer shall install, operate, and maintain, at customer's sole cost and expense, any control, protective, or other equipment on the customer's system required by the Company's technical interconnection requirements based on IEEE 1547, the NEC, accredited testing laboratories such as Underwriters Laboratories, and the manufacturer's suggested practices for safe, efficient, and reliable operation of the generating facility in parallel with Company's electric system. Customer shall bear full responsibility for the installation, maintenance, and safe operation of the generating facility. Upon reasonable request from the Company, customer shall demonstrate generating facility compliance.
3. The generating facility shall comply with, and the customer shall represent and warrant its compliance with: (a) any applicable safety and power quality standards established by the Institute of Electrical and Electronics Engineers (IEEE) and accredited testing laboratories such as Underwriters Laboratories (UL); (b) the National Electrical Code (NEC) as may be revised from time to time; (c) Company's rules, regulations, and Company's Terms and Conditions of Service as contained in Company's Retail Electric Tariff as may be revised from time to time with the approval of the Kentucky Public Service Commission (Commission); (d) the rules and regulations of the Commission, as such rules and regulations may be revised from time to time by the Commission; and (e) all other applicable local, state, and federal codes and laws, as the same may be in effect from time to time. Where required by law, customer shall pass an electrical inspection of the generating facility by a local authority having jurisdiction over the installation.
4. Any changes or additions to the Company's system required to accommodate the generating facility shall be considered excess facilities. Customer shall agree to pay Company for actual costs incurred for all such excess facilities prior to construction.
5. Customer shall operate the generating facility in such a manner as not to cause undue fluctuations in voltage, intermittent load characteristics, or otherwise interfere with the operation of Company's electric system. At all times when the generating facility is being operated in parallel with Company's electric system, customer shall so operate the generating facility in such a manner that no adverse impacts will be produced thereby to the service quality rendered by Company to any of its other customers or to any electric system interconnected with Company's electric system. Customer shall agree that the interconnection and operation of the generating facility is secondary to, and shall not interfere with, Company's ability to meet its primary responsibility of furnishing reasonably adequate service to its customers.
6. Customer shall be responsible for protecting, at customer's sole cost and expense, the generating facility from any condition or disturbance on Company's electric system, including, but not limited to, voltage sags or swells, system faults, outages, loss of a single phase of supply, equipment failures, and lightning or switching surges, except that the Company shall be responsible for repair of damage caused to the generating facility resulting solely from the negligence or willful misconduct on the part of the Company.
7. After initial installation, Company shall have the right to inspect and/or witness commissioning tests, as specified in the Level 1 or Level 2 Application and approval process. Following the initial testing and inspection of the generating facility and upon reasonable advance notice to customer, Company shall have access at reasonable times to the generating facility to perform reasonable on-site inspections to verify that the installation, maintenance and operation of the generating facility comply with the requirements of this tariff.

8. For Level 1 generating facilities, where required by the Company, an eligible customer shall furnish and install on customer's side of the point of common coupling a safety disconnect switch which shall be capable of fully disconnecting the customer's energy generating equipment from Company's electric service under the full rated conditions of the customer's generating facility. The external disconnect switch (EDS) shall be located adjacent to Company's meters or the location of the EDS shall be noted by placing a sticker on the meter, and shall be of the visible break type in a metal enclosure which can be secured by a padlock. If the EDS is not located directly adjacent to the meter, the customer shall be responsible for ensuring the location of the EDS is properly and legibly identified for so long as the generating facility is operational. The disconnect switch shall be accessible to Company personnel at all times. The Company may waive the requirement for an EDS for a generating facility at its sole discretion, and on a case-by-case basis, upon review of the generating facility operating parameters and if permitted under the Company's safety and operating protocols.

The Company shall establish a training protocol for line workers on the location and use of the EDS, and shall require that the EDS be used when appropriate, and that the switch be turned back on once the disconnection is no longer necessary.

9. Company shall have the right and authority at Company's sole discretion to isolate the generating facility or require the customer to discontinue operation of the generating facility if Company believes that: (a) continued interconnection and parallel operation of the generating facility with Company's electric system creates or contributes (or may create or contribute) to a system emergency on either Company's or customer's electric system; (b) the generating facility is not in compliance with the requirements of this tariff, and the noncompliance adversely affects the safety, reliability or power quality of Company's electric system; or (c) the generating facility interferes with the operation of Company's electric system. In non-emergency situations, Company shall give customer notice of noncompliance including a description of the specific noncompliance condition and allow customer a reasonable time to cure the noncompliance prior to isolating the generating facilities. In emergency situations, when the Company is unable to immediately isolate or cause the customer to isolate only the generating facility, the Company may isolate the Customer's entire facility.

10. Customer shall agree that, without the prior written permission from Company, no changes shall be made to the generating facility as initially approved. Increases in generating facility capacity will require a new "Application for Interconnection and Net Metering" which will be evaluated on the same basis as any other new application. Repair and replacement of existing generating facility components with like components that meet UL 1741 certification requirements for Level 1 facilities and not resulting in increases in generating facility capacity is allowed without approval.

11. To the extent permitted by law, the customer shall protect, indemnify, and hold harmless the Company and its directors, officers, employees, agents, representatives and contractors against and from all loss, claims, actions or suits, including costs and attorneys fees, for or on account of any injury or death of persons or damage to property caused by the customer or the customer's employees, agents, representatives and contractors in tampering with, repairing, maintaining or operating the Customer's generating facility or any related equipment or any facilities owned by the Company except where such injury, death or damage was caused or contributed to by the fault or negligence of the Company or its employees, agents, representatives, or contractors.

The liability of the Company to the customer for injury to person and property shall be governed by the tariff(s) for the class of service under which the customer is taking service.

12. The customer shall maintain general liability insurance coverage (through a standard homeowner's, commercial, or other policy) for Level 1 generating facilities. Customer shall, upon request, provide Company with proof of such insurance at the time that application is made for net metering.

13. By entering into an Interconnection Agreement, or by inspection, if any, or by non-rejection, or by approval, or in any other way, Company does not give any warranty, express or implied, as to the adequacy, safety, compliance with applicable codes or requirements, or as to any other characteristics, of the generating facility equipment, controls, and protective relays and equipment.

14. Customer's generating facility is transferable to other persons or service locations only after notification to the Company has been made and verification that the installation is in compliance with this tariff. Upon written notification that an approved generating facility is being transferred to another person, customer, or location, the company will verify that the installation is in compliance with this tariff and provide written notification to the Customer(s) within 20 business days. If the installation is no longer in compliance with this tariff, the Company will notify the customer in writing and list what must be done to place the facility in compliance.

15. The Customer shall retain any and all Renewable Energy Credits (RECs) that may be generated by their generating facility.

Effective Term and Termination Rights

This Agreement becomes effective when executed by both parties and shall continue in effect until terminated. This Agreement may be terminated as follows: (a) Customer may terminate this Agreement at any time by giving the Company at least sixty (60) days' written notice; (b) Company may terminate upon failure by the Customer to continue ongoing operation of the generating facility; (c) either party may terminate by giving the other party at least thirty (30) days prior written notice that the other party is in default of any of the terms and conditions of the Agreement or the Rules or any rate schedule, tariff, regulation, contract, or policy of the Company, so long as the notice specifies the basis for termination and there is opportunity to cure the default; (d) the Company may terminate by giving the Customer at least thirty (30) days notice in the event that there is a material change in an applicable law, regulation or statute affecting this Agreement or which renders the system out of compliance with the new law or statute. I hereby certify that, to the best of my knowledge, all of the information provided in this Application is true, and I agree to abide by all the Terms and Conditions included in this Application for Interconnection and Net Metering and Company's Net Metering Tariff.

Customer Signature: _____ **Date:** _____

COMPANY APPROVAL SECTION

When signed below by a Company representative, Application for Interconnection and Net Metering is approved subject to the provisions contained in this Application and as indicated below.

Company inspection and witness test: () Required () Waived

If Company inspection and witness test is required, Customer shall notify the Company within three (3) business days of completion of the generating facility installation and schedule an inspection and witness test with the Company to occur within ten (10) business days of completion of the generating facility installation or as otherwise agreed to by the Company and the Customer. Unless indicated below, the Customer may not operate the generating facility until such inspection and witness test is successfully completed. Additionally, the Customer may not operate the generating facility until all other terms and conditions in the Application have been met.

Call: _____ to schedule an inspection and witness test.

Pre-Inspection operational testing not to exceed two (2) hours: () Allowed () Not Allowed

If Company inspection and witness test is waived, operation of the generating facility may begin when installation is complete, and all other terms and conditions in the Application have been met.

Additions, Changes, or Clarifications to Application Information: () None () As specified here:

Approved by: _____ Date: _____

Printed Name: _____ Title: _____